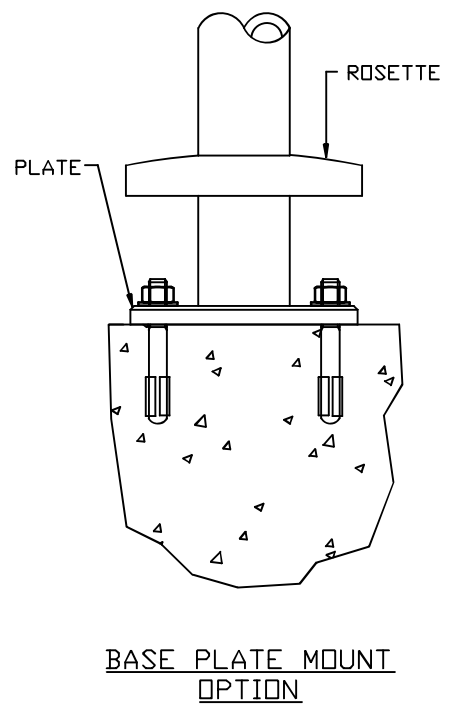


STANDARD MATERIAL:
 STAINLESS STEEL
 ALLOY 316
 FINISH: NO. 6 SATIN



Description: ZARIA PERFORATED/MESH PANEL DESIGN WITH INTEGRAL DRIVER	Drawn: GTG Date: -	Sheet No.: 1 OF 1
ETI efficient-tec international llc. 9659 Wendell Road Dallas, TX 75243 tel. 866.356.4458	Job Number: -	Part Number: -