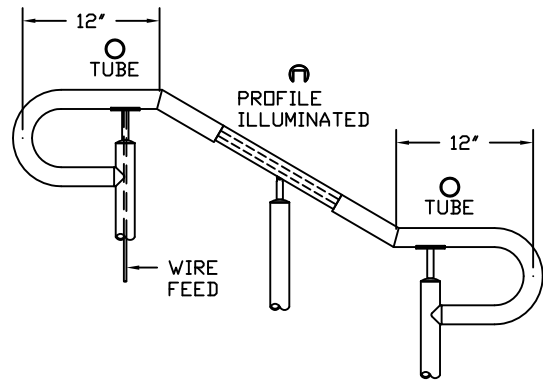
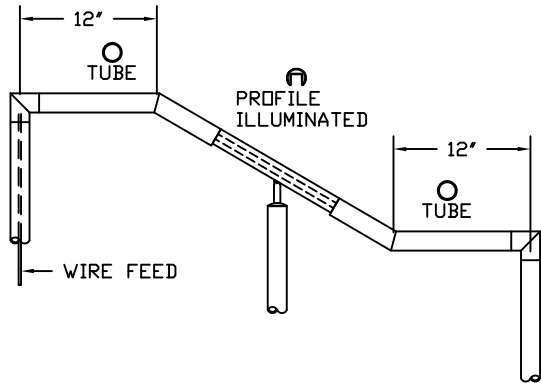


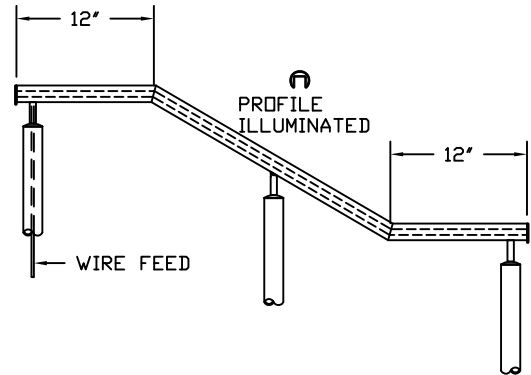
FREESTANDING RAIL WITH TOP AND BOTTOM RADIUS EXTENSIONS



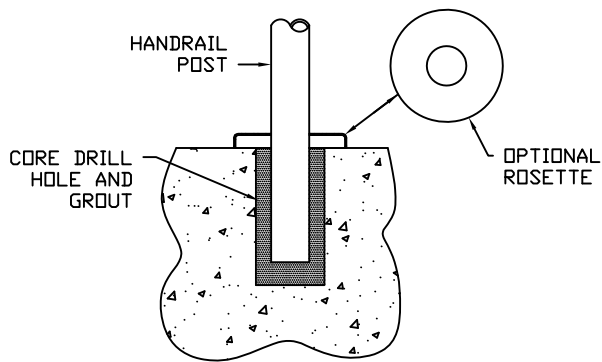
FREESTANDING RAIL WITH TOP AND BOTTOM 180° EXTENSIONS



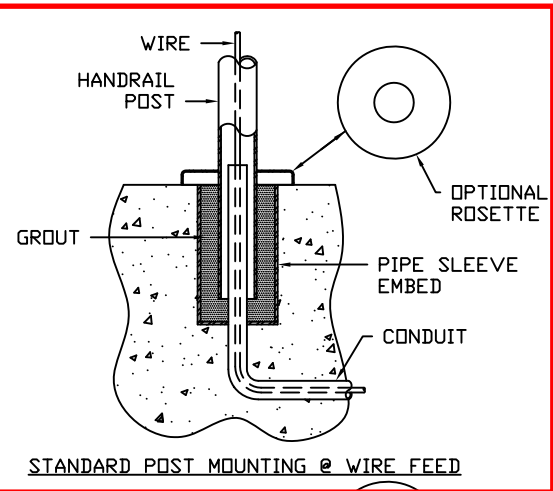
FREESTANDING RAIL WITH TOP AND BOTTOM MITERED EXTENSIONS



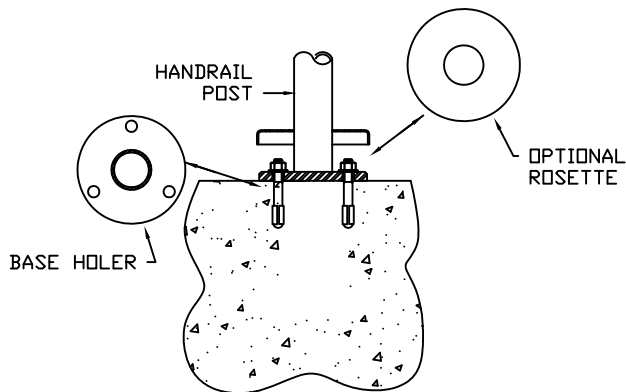
FREESTANDING RAIL WITH TOP AND BOTTOM PROFILE EXTENSIONS



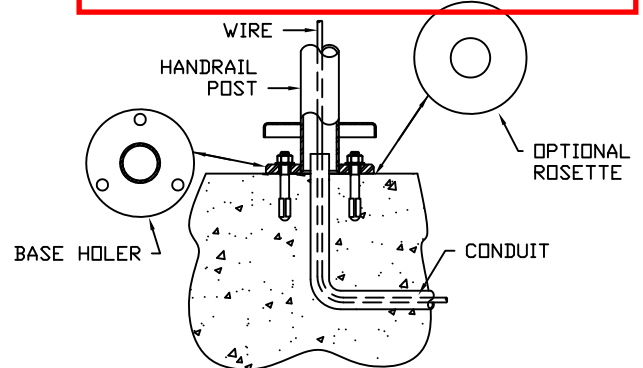
STANDARD POST MOUNTING WITH NO WIRE FEED



STANDARD POST MOUNTING @ WIRE FEED



OPTIONAL POST MOUNTING WITH NO WIRE FEED



OPTIONAL POST MOUNTING @ WIRE FEED

**Description:**  
ILLUMINATED FREESTANDING HANDRAIL TYPICAL DETAILS

**Drawn:**  
**Date:**

**Sheet No.:**  
1 of 21



9659 Wendell Road Dallas, TX 75243 tel. 866.356.4458

**Job Number:**

**Part Number:**