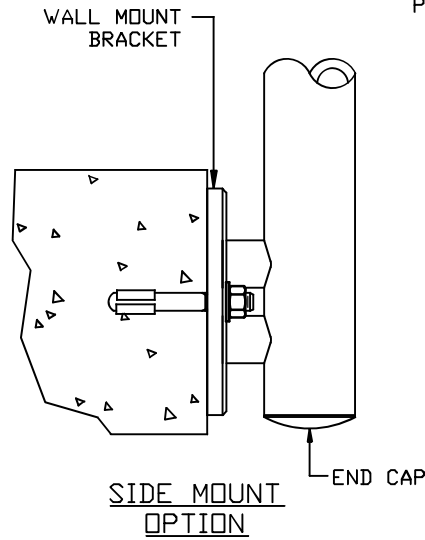
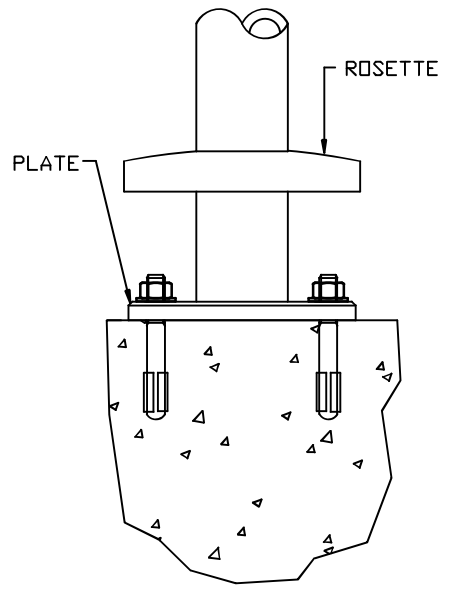


SECTION A

MATERIAL:
STAINLESS STEEL
ALLOY 316
FINISH: NO. 6 SATIN



SIDE MOUNT
OPTION



BASE PLATE MOUNT
OPTION

| | | |
|---|--------------------------|-----------------------------|
| Description: SANIA INLINE RETAINER DESIGN | Drawn: GTG | Sheet No.: 1 OF 1 |
| | Date: - | Job Number: - |
| ETI efficient-tec international llc. 9659 Wendell Road Dallas, TX 75243 tel. 866.356.4458 | Part Number: - | |