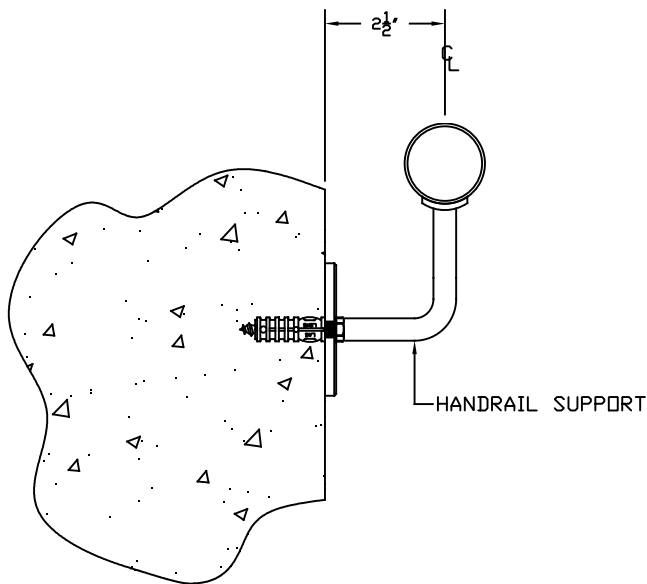
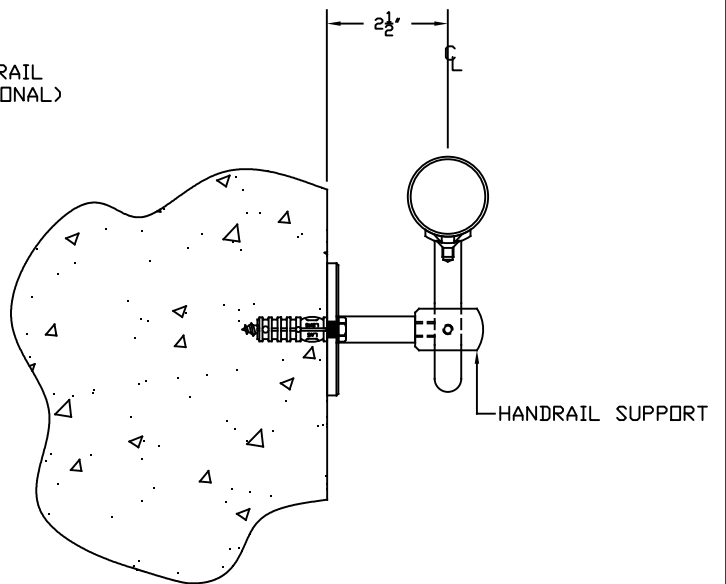
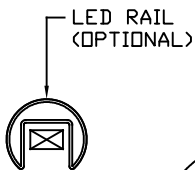


MATERIAL:  
 STAINLESS STEEL  
 ALLOY 316  
 FINISH: NO. 6 SATIN



STANDARD WALL BRACKET



OPTIONAL WALL BRACKET

**Description:**  
 MYRIS  
 STANDARD WALL RAIL DESIGN WITH HANDRAIL PLOT 16

**Drawn:** GTG  
**Date:** -

**Sheet No.:**  
 1 OF 1

**ETI** efficient-tec international llc.  
 9659 Wendell Road Dallas, TX 75243 tel. 866.356.4458

**Job Number:**  
 -

**Part Number:**  
 -