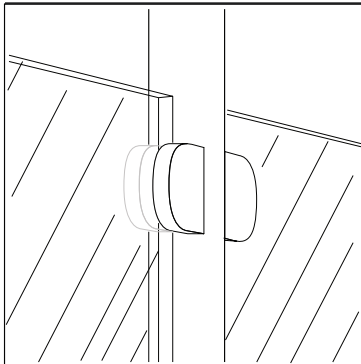




DATE:

CUSTOMER:

PROJECT:



FELLE

Glass Clamp Fitting Design



ILLUMINATED RAILING OPTIONS

DESIGN LINE NAME	1 MATERIAL & FINISH	2 RAIL SIZE	3 MOUNTING STYLE	4 INFILL OPTIONS	5 LIGHT DISTRIBUTION	6 LED OUTPUT	7 LENS STYLE	8 ILLUMINATION COLOR	9 DRIVER TYPE	10 LENGTH IN FEET
FELLE ILLUMINATED										

1 MATERIAL & FINISH	
SS	316 Stainless Steel w/#6 (320 grit) Satin Finish
SP	316 Stainless Steel w/#8 High Polish Finish
ALPC	6063 Aluminum w/Powder Coat Finish (RAL Required)

2 RAIL SIZE	
1	1.67" O.D. Stainless Steel 1-1/4" Pipe
2	1.90" O.D. Stainless Steel 1-1/2" Pipe
3	1.50" Square Stainless Steel
4	1.66" O.D. Aluminum 1-1/4" Pipe
5	1.90" O.D. Aluminum 1-1/2" Pipe

3 MOUNTING STYLE	
EM	Embed Mount
FL	Flange Mount
FM	Fascia Mount

4 INFILL OPTIONS	
GL1	Felle Standard Glass Clamp 3/8" Tempered Glass
GLL1	Felle Standard Glass Clamp 1/2" Tempered Glass

5 LIGHT DISTRIBUTION	
SY	Symmetric
AS	Asymmetric

6 * LED OUTPUT	
1	Low Output (1.34W / 173lm per ft.)
2	Medium Output (2.77W / 334lm per ft.)
3	High Output (3.87W / 443lm per ft.)
4	Dot System (1.5W)

* See page 3 for specifications based upon medium / high output & Dot System

7 LENS STYLE	
1	Clear w/ prismatic diffusers
2	Opal White w/ diffusers
3	Clear w/ no diffusion (asymmetric)
4	Dot System - Clear

8 ** ILLUMINATION COLOR	
1L	Linear Warm White 2700K CCT
2L	Linear Warm White 3000K CCT
3L	Linear White 4000K CCT
4L	Amber
5L	RGBW
<small>DOT SYSTEM</small>	
1D	Dot System Warm White 2700K CCT
2D	Dot System Warm White 3000K CCT
3D	Dot System White 4000K CCT

**See page 3 for specifications based upon Color Temperature (CCT)

9 DRIVER	
1	Remote
2	Integral

10 LENGTH IN FEET	
ENTER LENGTH IN FEET	

(Non-Illuminated options & form on next page)



NON-ILLUMINATED RAILING OPTIONS

DESIGN LINE NAME	1 MATERIAL & FINISH	2 RAIL SIZE	3 MOUNTING STYLE	4 INFILL OPTIONS	5 LENGTH IN FEET
FELLE NON-ILLUMINATED					

1 MATERIAL & FINISH	
SS	316 Stainless Steel w/#6 (320 grit) Satin Finish
SP	316 Stainless Steel w/#8 High Polish Finish
ALPC	6063 Aluminum w/Powder Coat Finish (RAL Required)

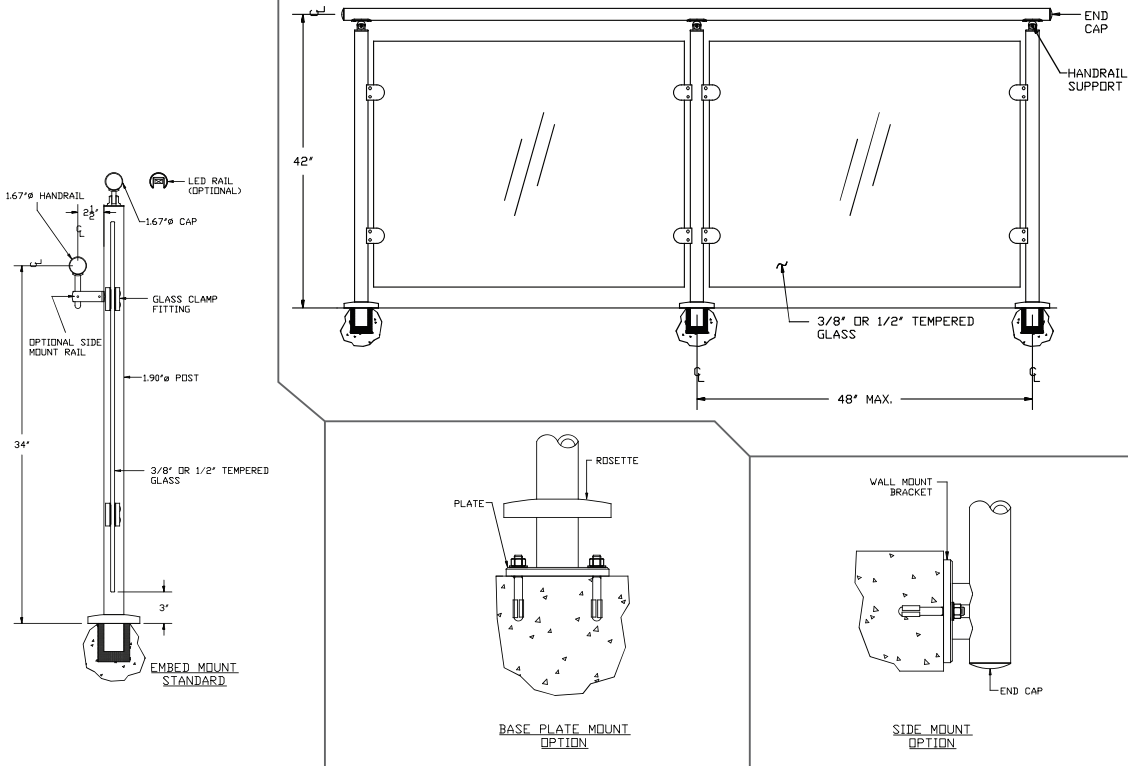
2 RAIL SIZE	
1	1.67" O.D. Stainless Steel 1-1/4" Pipe
2	1.90" O.D. Stainless Steel 1-1/2" Pipe
3	1.50" Square Stainless Steel
4	1.66" O.D. Aluminum 1-1/4" Pipe
5	1.90" O.D. Aluminum 1-1/2" Pipe

3 MOUNTING STYLE	
EM	Embed Mount
FL	Flange Mount
FM	Fascia Mount

4 INFILL OPTIONS	
GL1	Felle Standard Glass Clamp 3/8" Tempered Glass
GLL1	Felle Standard Glass Clamp 1/2" Tempered Glass

5 LENGTH IN FEET	
ENTER LENGTH IN FEET	

(Illuminated options & form on previous page)



LED OUTPUT

Handrail Linearflex®

		lumen/ft & lumen/W based upon color temp					
LOW LED OUTPUT		80 CRI	L.O. 1.34W/ft	2700K CCT	lm/ft 173	lm/W 130	IP 67
		80 CRI	L.O. 1.34W/ft	3000K CCT	lm/ft 173	lm/W 132	IP 67
		80 CRI	L.O. 1.34W/ft	4000K CCT	lm/ft 173	lm/W 142	IP 67
MEDIUM LED OUTPUT		80 CRI	M.O. 2.77W/ft	2700K CCT	lm/ft 334	lm/W 124	IP 67
		80 CRI	M.O. 2.77W/ft	3000K CCT	lm/ft 334	lm/W 129	IP 67
		80 CRI	M.O. 2.77W/ft	4000K CCT	lm/ft 334	lm/W 136	IP 67
HIGH LED OUTPUT		80 CRI	H.O. 3.87W/ft	2700K CCT	lm/ft 443	lm/W 115	IP 67
		80 CRI	H.O. 3.87W/ft	3000K CCT	lm/ft 443	lm/W 119	IP 67
		80 CRI	H.O. 3.87W/ft	4000K CCT	lm/ft 443	lm/W 126	IP 67

Handrail Dot®

IP66

IK10

on/off
0-10V

316 SS
Housing

PC
Lens

Ta min -20°C
-4°F
Ta max +50°C
+122°F

Power	1.5 W (500mA)			
Color temperatures	2700K	3000K	4000K	5000K
Lumens output	60° - 114 lm 120° - 120 lm 90°(asymmetric) - 108 lm	60° - 120 lm 120° - 126 lm 90°(asymmetric) - 114 lm	60° - 136 lm 120° - 143 lm 90°(asymmetric) - 129 lm	60° - 136 lm 120° - 143 lm 90°(asymmetric) - 129 lm
Luminaire efficiency	72 to 80 lm/W	76 to 84 lm/W	86 to 96 lm/W	86 to 96 lm/W
Measures / Weight	.58 in x .59 in / .22 lb			

Handrail Dot® 60° 3000K

Distance	Beam Diameter	Beam Diameter	Beam Diameter
1.64 ft	1.08 ft	540 lux	90°
3.28 ft	2.20 ft	135 lux	75°
4.92 ft	3.28 ft	60 lux	60°
6.56 ft	4.40 ft	34 lux	45°
8.20 ft	5.48 ft	22 lux	30°

Handrail Dot® Asym. 90° 5000K

Distance	Beam Diameter	Beam Diameter	Beam Diameter
0.5 m	2.13 x 2.40 ft	398 lux	90°
1 m	4.27 x 4.82 ft	100 lux	75°
1.5 m	6.36 x 7.22 ft	44 lux	60°
2 m	8.50 x 9.65 ft	25 lux	45°
2.5 m	10.63 x 12.04 ft	16 lux	30°

Handrail Dot® 120° 3000K

Distance	Beam Diameter	Beam Diameter	Beam Diameter
0.5 m	3.90 ft	227 lux	90°
1 m	7.81 ft	57 lux	75°
1.5 m	11.71 ft	25 lux	60°
2 m	15.62 ft	14 lux	45°
2.5 m	19.52 ft	9 lux	30°

Symmetric

Asymmetric