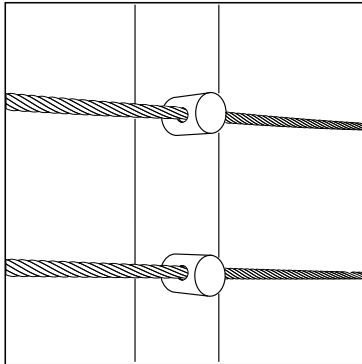




DATE:

CUSTOMER:

PROJECT:



ENCIA

Offset Cable Design



ILLUMINATED RAILING OPTIONS

DESIGN LINE NAME	1 MATERIAL & FINISH	2 RAIL SIZE	3 MOUNTING STYLE	4 INFILL OPTIONS	5 LIGHT DISTRIBUTION	6 LED OUTPUT	7 LENS STYLE	8 ILLUMINATION COLOR	9 DRIVER TYPE	10 LENGTH IN FEET
ENCIA ILLUMINATED										

1 MATERIAL & FINISH	
SS	316 Stainless Steel w/#6 (320 grit) Satin Finish
SP	316 Stainless Steel w/#8 High Polish Finish
ALPC	6063 Aluminum w/Powder Coat Finish (RAL Required)

2 RAIL SIZE	
1	1.67" O.D. Stainless Steel 1-1/4" Pipe
2	1.90" O.D. Stainless Steel 1-1/2" Pipe
3	1.50" Square Stainless Steel
4	1.66" O.D. Aluminum 1-1/4" Pipe
5	1.90" O.D. Aluminum 1-1/2" Pipe

3 MOUNTING STYLE	
EM	Embed Mount
FL	Flange Mount
FM	Fascia Mount

4 INFILL OPTIONS	
CB2	Offset Stainless Steel Cable Ø3/16" 1x19

5 LIGHT DISTRIBUTION	
SY	Symmetric
AS	Asymmetric

6 * LED OUTPUT	
1	Low Output (1.34W / 173lm per ft.)
2	Medium Output (2.77W / 334lm per ft.)
3	High Output (3.87W / 443lm per ft.)
4	Dot System (1.5W)

* See page 3 for specifications based upon medium / high output & Dot System

7 LENS STYLE	
1	Clear w/ prismatic diffusers
2	Opal White w/ diffusers
3	Clear w/ no diffusion (asymmetric)
4	Dot System - Clear

8 ** ILLUMINATION COLOR	
1L	Linear Warm White 2700K CCT
2L	Linear Warm White 3000K CCT
3L	Linear White 4000K CCT
4L	Amber
5L	RGBW
DOT SYSTEM	
1D	Dot System Warm White 2700K CCT
2D	Dot System Warm White 3000K CCT
3D	Dot System White 4000K CCT

**See page 3 for specifications based upon Color Temperature (CCT)

9 DRIVER	
1	Remote

10 LENGTH IN FEET	
ENTER LENGTH IN FEET	

(Non-Illuminated options & form on next page)

NON-ILLUMINATED RAILING OPTIONS

DESIGN LINE NAME	1 MATERIAL & FINISH	2 RAIL SIZE	3 MOUNTING STYLE	4 INFILL OPTIONS	5 LENGTH IN FEET
ENCIA NON-ILLUMINATED					

1	MATERIAL & FINISH
SS	316 Stainless Steel w/#6 (320 grit) Satin Finish
SP	316 Stainless Steel w/#8 High Polish Finish
ALPC	6063 Aluminum w/Powder Coat Finish (RAL Required)

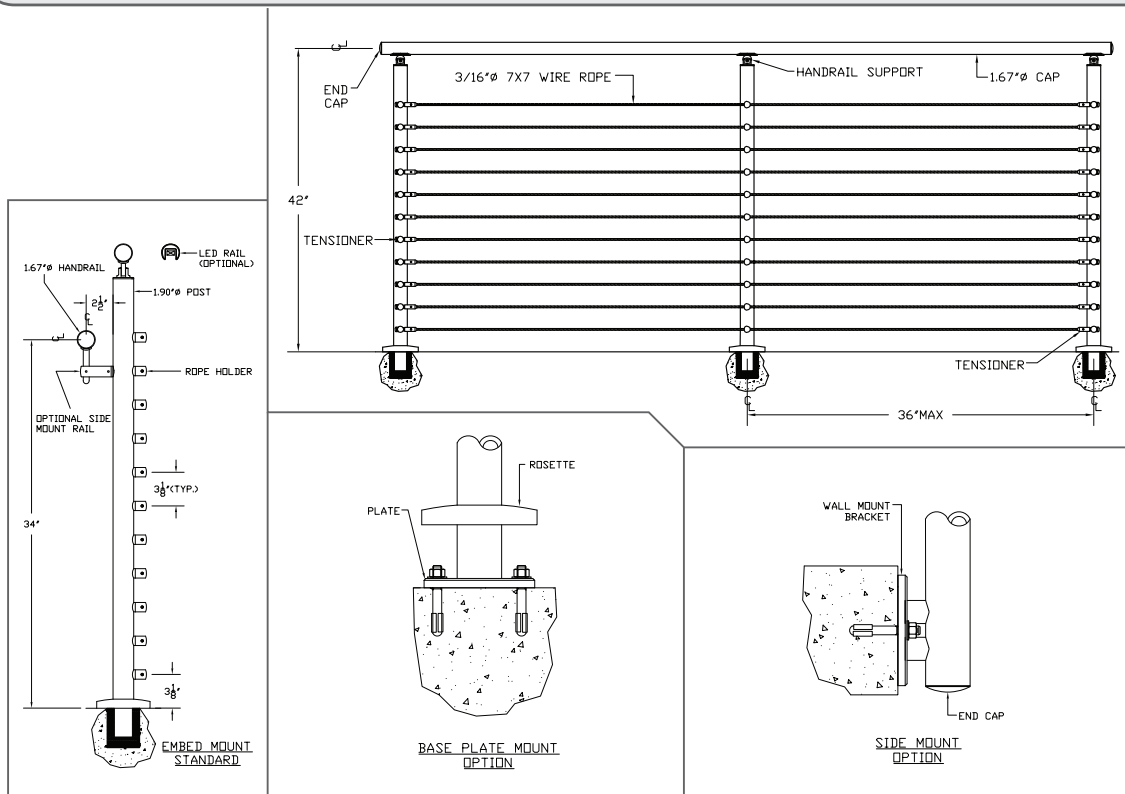
2	RAIL SIZE
1	1.67" O.D. Stainless Steel 1-¼" Pipe
2	1.90" O.D. Stainless Steel 1-½" Pipe
3	1.50" Square Stainless Steel
4	1.66" O.D. Aluminum 1-¼" Pipe
5	1.90" O.D. Aluminum 1-½" Pipe

3	MOUNTING STYLE
EM	Embed Mount
FL	Flange Mount
FM	Fascia Mount

4	INFILL OPTIONS
CB2	Offset Stainless Steel Cable Ø3/16" 1x19

5	LENGTH IN FEET
ENTER LENGTH IN FEET	

(Illuminated options & form on previous page)



LED OUTPUT

Handrail Linearflex®

		lumen/ft & lumen/W based upon color temp			
LOW LED OUTPUT	2700K CCT	lm/ft 173	lm/W 130	IP 67	
	3000K CCT	lm/ft 173	lm/W 132		
	4000K CCT	lm/ft 173	lm/W 142		
MEDIUM LED OUTPUT	2700K CCT	lm/ft 334	lm/W 124	IP 67	
	3000K CCT	lm/ft 334	lm/W 129		
	4000K CCT	lm/ft 334	lm/W 136		
HIGH LED OUTPUT	2700K CCT	lm/ft 443	lm/W 115	IP 67	
	3000K CCT	lm/ft 443	lm/W 119		
	4000K CCT	lm/ft 443	lm/W 126		

Handrail Dot®

IP66

IK10

on/off
0-10V

316 SS Housing

PC Lens

Ta min -20°C
 -4°F
 Ta max +50°C
 +122°F

Power	1.5 W (500mA)			
Color temperatures	2700K	3000K	4000K	5000K
Lumens output	60° - 114 lm 120° - 120 lm 90°(asymmetric) - 108 lm	60° - 120 lm 120° - 126 lm 90°(asymmetric) - 114 lm	60° - 136 lm 120° - 143 lm 90°(asymmetric) - 129 lm	60° - 136 lm 120° - 143 lm 90°(asymmetric) - 129 lm
Luminaire efficiency	72 to 80 lm/W	76 to 84 lm/W	86 to 96 lm/W	86 to 96 lm/W
Measures / Weight	.58 in x .59 in / .22 lb			

Handrail Dot®

60° **3000K**

Distance	Beam Diameter	90°	75°	60°	45°	30°
1.64 ft	1.08 ft	540 lux				
3.28 ft	2.20 ft	135 lux				
4.92 ft	3.28 ft	60 lux				
6.56 ft	4.40 ft	34 lux				
8.20 ft	5.48 ft	22 lux				

Handrail Dot® Asym.

90° **5000K**

Distance	Beam Diameter	90°	75°	60°	45°	30°
0.5 m	2.13 x 2.40 ft	398 lux				
1 m	4.27 x 4.82 ft	100 lux				
1.5 m	6.36 x 7.22 ft	44 lux				
2 m	8.50 x 9.65 ft	25 lux				
2.5 m	10.63 x 12.04 ft	16 lux				

Handrail Dot®

120° **3000K**

Distance	Beam Diameter	90°	75°	60°	45°	30°
0.5 m	3.90 ft	227 lux				
1 m	7.81 ft	57 lux				
1.5 m	11.71 ft	25 lux				
2 m	15.62 ft	14 lux				
2.5 m	19.52 ft	9 lux				

Symmetric Asymmetric