



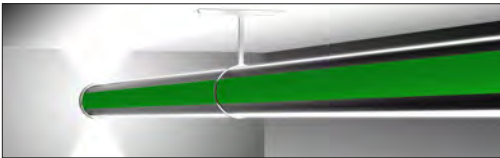
DATE:

CUSTOMER:

PROJECT:

# WARDROBE RADIANCE

*Illuminated Closet Rod System*



## ILLUMINATED RAILING OPTIONS

DESIGN LINE NAME	1 MATERIAL & FINISH	2 ROD SIZE	3 ACCENT INSERT	4 LIGHT DISTRIBUTION	5 LED OUTPUT	6 LENS STYLE	7 ILLUMINATION COLOR	8 DRIVER TYPE	9 LENGTH IN INCHES
<b>WARDROBE RADIANCE</b>	<b>ALPC</b>	<b>1</b>			<b>1</b>	<b>1</b>		<b>1</b>	

**1 MATERIAL & FINISH**

<b>ALPC</b>	6063 Aluminum w/Powder Coat Finish (RAL Required)
-------------	---

**2 ROD SIZE**

<b>1</b>	1.30" O.D.
----------	------------

**3 ACCENT INSERT OPTIONS**

<b>G</b>	GREEN
<b>R</b>	RED
<b>B</b>	BLUE
<b>K</b>	BLACK
<b>W</b>	WHITE
<b>Y</b>	YELLOW

**4 LIGHT DISTRIBUTION**

<b>D</b>	Direct (down)
<b>I</b>	Indirect (up)
<b>DI</b>	Direct & Indirect (both)

**5 \* LED OUTPUT**

<b>1</b>	High Output 3.87W / 443lm per ft
----------	-------------------------------------

**6 LENS STYLE**

<b>1</b>	Clear w/ prismatic diffusers
----------	------------------------------

**7 ILLUMINATION COLOR**

<b>27</b>	Linear Warm White 2700K CCT
<b>30</b>	Linear Warm White 3000K CCT
<b>40</b>	Linear White 4000K CCT

**8 DRIVER**

<b>1</b>	Remote
----------	--------

**9 LENGTH IN INCHES**

ENTER LENGTH IN INCHES

STANDARD DECORATOR COLORS

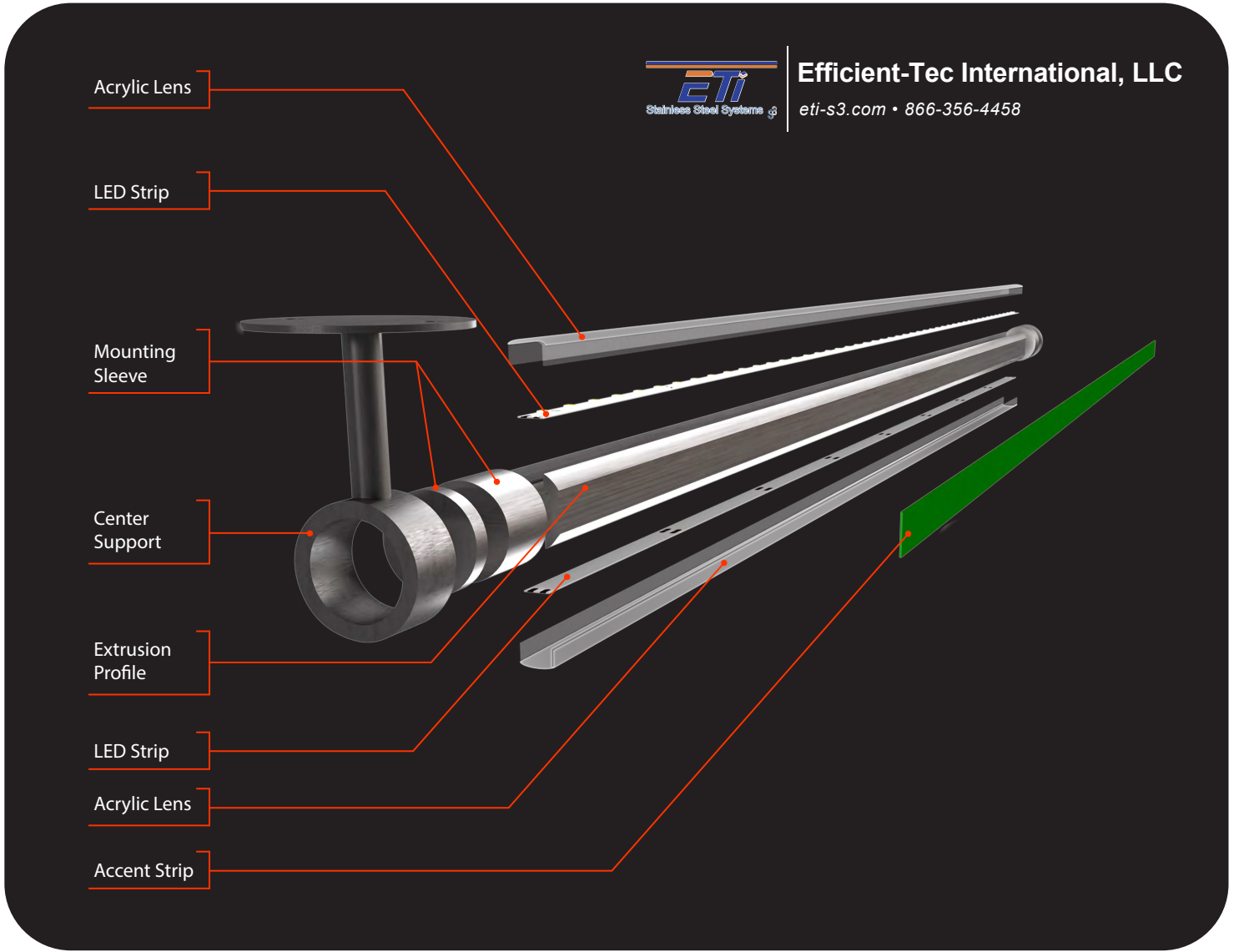
Green • Red • Blue • Black • White • Yellow





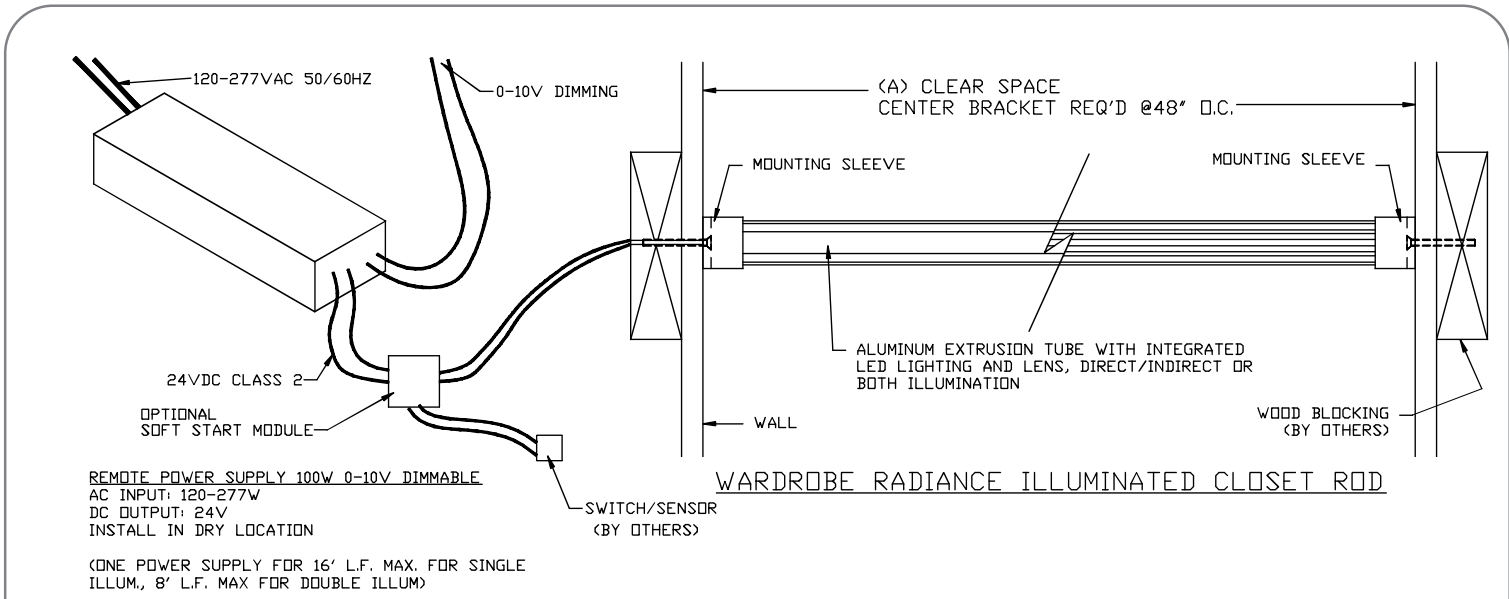
# WARDROBE RADIANCE

*Illuminated Closet Rod System*

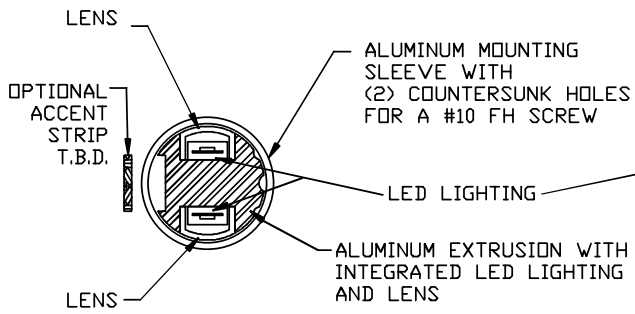


# WARDROBE RADIANCE

*Illuminated Closet Rod System*



**RoHS**



SECTION

**ILLUMINATION:**  
 HIGH OUTPUT LED LIGHTING

**SPECIFICATIONS:**

- 24 VDC POWER
- IP20
- 200 LUMENS PER FOOT
- 4.4 WATTS PER/FT FOR SINGLE ILLUM.
- 8.8 WATTS PER/FT FOR DOUBLE ILLUM. CONSUMPTION
- COLOR TEMP:
  - WARM WHITE
  - NATURAL WHITE

