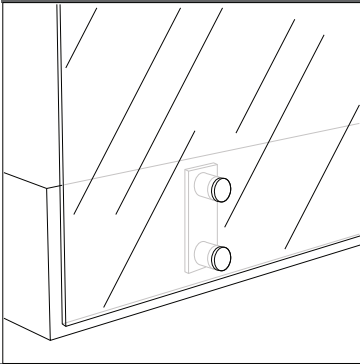




DATE:

CUSTOMER:

PROJECT:



# BOSS RAIL

## Structural Glass Rail Design



### ILLUMINATED RAILING OPTIONS

DESIGN LINE NAME	1 MATERIAL & FINISH	2 RAIL SIZE	3 MOUNTING STYLE	4 INFILL OPTIONS	5 LIGHT DISTRIBUTION	6 LED OUTPUT	7 LENS STYLE	8 ILLUMINATION COLOR	9 DRIVER TYPE	10 LENGTH IN FEET
<b>BOSS RAIL ILLUMINATED</b>										

1 MATERIAL & FINISH	
<b>SS</b>	316 Stainless Steel w/#6 (320 grit) Satin Finish
<b>SP</b>	316 Stainless Steel w/#8 High Polish Finish
<b>ALPC</b>	6063 Aluminum w/Powder Coat Finish (RAL Required)

2 RAIL SIZE	
<b>1</b>	1.67" O.D. Stainless Steel 1-1/4" Pipe
<b>2</b>	1.90" O.D. Stainless Steel 1-1/2" Pipe
<b>3</b>	1.50" Square Stainless Steel
<b>4</b>	1.66" O.D. Aluminum 1-1/4" Pipe
<b>5</b>	1.90" O.D. Aluminum 1-1/2" Pipe

3 MOUNTING STYLE	
<b>SG</b>	Structural Glass

4 INFILL OPTIONS	
<b>GLL2</b>	Sania Inline Button Retainer 1/2" Clear Tempered Glass
<b>GLL4</b>	3/4" Clear Tempered Glass

5 LIGHT DISTRIBUTION	
<b>SY</b>	Symmetric
<b>AS</b>	Asymmetric

6 * LED OUTPUT	
<b>1</b>	Low Output (1.34W / 173lm per ft.)
<b>2</b>	Medium Output (2.77W / 334lm per ft.)
<b>3</b>	High Output (3.87W / 443lm per ft.)
<b>4</b>	Dot System (1.5W)

\* See page 3 for specifications based upon medium / high output & Dot System

7 LENS STYLE	
<b>1</b>	Clear w/ prismatic diffusers
<b>2</b>	Opal White w/ diffusers
<b>3</b>	Clear w/ no diffusion (asymmetric)
<b>4</b>	Dot System - Clear

8 ** ILLUMINATION COLOR	
<b>1L</b>	Linear Warm White 2700K CCT
<b>2L</b>	Linear Warm White 3000K CCT
<b>3L</b>	Linear White 4000K CCT
<b>4L</b>	Amber
<b>5L</b>	RGBW
DOT SYSTEM	
<b>1D</b>	Dot System Warm White 2700K CCT
<b>2D</b>	Dot System Warm White 3000K CCT
<b>3D</b>	Dot System White 4000K CCT

\*\*See page 3 for specifications based upon Color Temperature (CCT)

9 DRIVER	
<b>1</b>	Remote

10 LENGTH IN FEET	
<b>ENTER LENGTH IN FEET</b>	

(Non-Illuminated options & form on next page)

## NON-ILLUMINATED RAILING OPTIONS

DESIGN LINE NAME	1 MATERIAL & FINISH	2 RAIL SIZE	3 MOUNTING STYLE	4 INFILL OPTIONS	5 LENGTH IN FEET
<b>BOSS RAIL</b> NON-ILLUMINATED					

1	MATERIAL & FINISH
<b>SS</b>	316 Stainless Steel w/#6 (320 grit) Satin Finish
<b>SP</b>	316 Stainless Steel w/#8 High Polish Finish
<b>ALPC</b>	6063 Aluminum w/Powder Coat Finish (RAL Required)

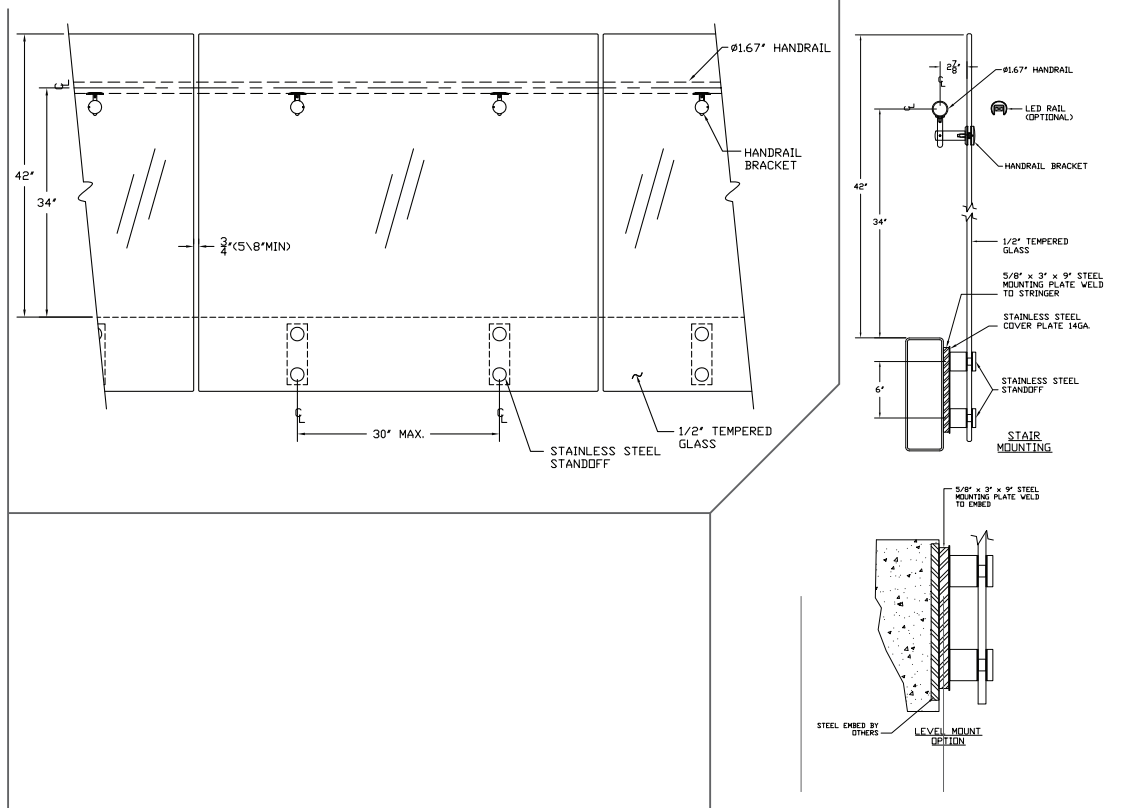
2	RAIL SIZE
<b>1</b>	1.67" O.D. Stainless Steel 1-1/4" Pipe
<b>2</b>	1.90" O.D. Stainless Steel 1-1/2" Pipe
<b>3</b>	1.50" Square Stainless Steel
<b>4</b>	1.66" O.D. Aluminum 1-1/4" Pipe
<b>5</b>	1.90" O.D. Aluminum 1-1/2" Pipe

3	MOUNTING STYLE
<b>SG</b>	Structural Glass

4	INFILL OPTIONS
<b>GLL2</b>	Sania Inline Button Retainer 1/2" Clear Tempered Glass
<b>GLL4</b>	3/4" Clear Tempered Glass

5	LENGTH IN FEET
<b>ENTER LENGTH IN FEET</b>	

*(Illuminated options & form on previous page)*



# LED OUTPUT

## Handrail Linearflex®

		lumen/ft & lumen/W based upon color temp									
LOW LED OUTPUT	ETL Intertek	LED BUILT IN	↔	⤵	80 CRI	L.O. 1.34W/ft	2700K CCT	lm/ft 173	lm/W 130	IP 67	
	ETL Intertek	LED BUILT IN	↔	⤵	80 CRI	L.O. 1.34W/ft	3000K CCT	lm/ft 173	lm/W 132	IP 67	
	ETL Intertek	LED BUILT IN	↔	⤵	80 CRI	L.O. 1.34W/ft	4000K CCT	lm/ft 173	lm/W 142	IP 67	
MEDIUM LED OUTPUT	ETL Intertek	LED BUILT IN	↔	⤵	80 CRI	M.O. 2.77W/ft	2700K CCT	lm/ft 334	lm/W 124	IP 67	
	ETL Intertek	LED BUILT IN	↔	⤵	80 CRI	M.O. 2.77W/ft	3000K CCT	lm/ft 334	lm/W 129	IP 67	
	ETL Intertek	LED BUILT IN	↔	⤵	80 CRI	M.O. 2.77W/ft	4000K CCT	lm/ft 334	lm/W 136	IP 67	
HIGH LED OUTPUT	ETL Intertek	LED BUILT IN	↔	⤵	80 CRI	H.O. 3.87W/ft	2700K CCT	lm/ft 443	lm/W 115	IP 67	
	ETL Intertek	LED BUILT IN	↔	⤵	80 CRI	H.O. 3.87W/ft	3000K CCT	lm/ft 443	lm/W 119	IP 67	
	ETL Intertek	LED BUILT IN	↔	⤵	80 CRI	H.O. 3.87W/ft	4000K CCT	lm/ft 443	lm/W 126	IP 67	

## Handrail Dot®

IP66

IK10

on/off 0-10V

316 SS Housing

PC Lens

Ta min	-20°C
Ta max	+50°C

Power	1.5 W (500mA)			
Color temperatures	2700K	3000K	4000K	5000K
Lumens output	60° - 114 lm 120° - 120 lm 90°(asymmetric) - 108 lm	60° - 120 lm 120° - 126 lm 90°(asymmetric) - 114 lm	60° - 136 lm 120° - 143 lm 90°(asymmetric) - 129 lm	60° - 136 lm 120° - 143 lm 90°(asymmetric) - 129 lm
Luminaire efficiency	72 to 80 lm/W	76 to 84 lm/W	86 to 96 lm/W	86 to 96 lm/W
Measures / Weight	.58 in x .59 in / .22 lb			

### Handrail Dot\* 60° 3000K

Distance	Beam Diameter	90°	75°	60°	45°	30°
1.64 ft	1.08 ft	540 lux				
3.28 ft	2.20 ft	135 lux				
4.92 ft	3.28 ft	60 lux				
6.56 ft	4.40 ft	34 lux				
8.20 ft	5.48 ft	22 lux				

### Handrail Dot\* Asym. 90° 5000K

Distance	Beam Diameter	90°	75°	60°	45°	30°
0.5 m	2.13 x 2.40 ft	398 lux				
1 m	4.27 x 4.82 ft	100 lux				
1.5 m	6.36 x 7.22 ft	44 lux				
2 m	8.50 x 9.65 ft	25 lux				
2.5 m	10.63 x 12.04 ft	16 lux				

### Handrail Dot\* 120° 3000K

Distance	Beam Diameter	90°	75°	60°	45°	30°
0.5 m	3.90 ft	227 lux				
1 m	7.81 ft	57 lux				
1.5 m	11.71 ft	25 lux				
2 m	15.62 ft	14 lux				
2.5 m	19.52 ft	9 lux				