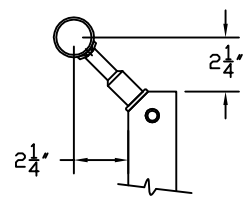
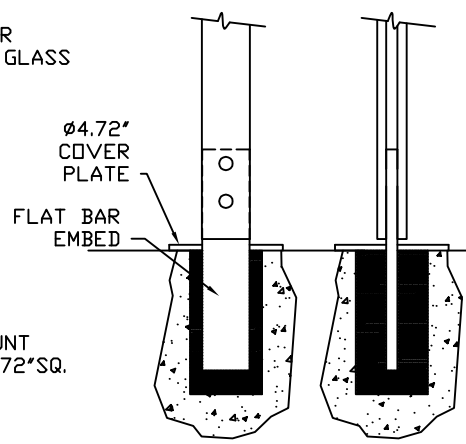


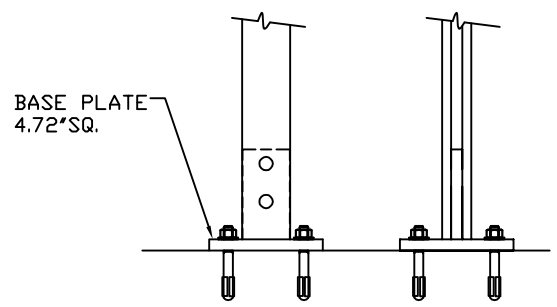
HORIZONTAL
OFFSET CAP
OPTION



ANGLE
OFFSET CAP
OPTION



EMBED MOUNT
OPTION



BASE PLATE MOUNT
OPTION

MATERIAL:
CAP & FITTINGS
STAINLESS STEEL
ALLOY 304
FINISH: NO. 6 SATIN

MATERIAL:
ALUMINUM POST
FINISH: POWDER COAT

FASCIA MOUNT

Description: ANGELITA DOUBLE FLAT GLASS CLAMP DESIGN	Drawn: -	Sheet No.: 16 OF 21
	Date: -	Part Number: -
ETI efficient-tec international llc. 9659 Wendell Road Dallas, TX 75243 tel. 866.356.4458	Job Number: -	Part Number: -