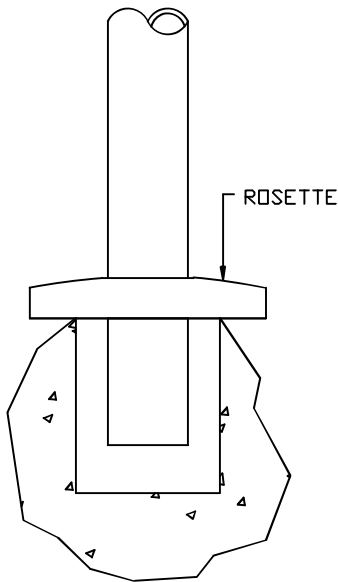
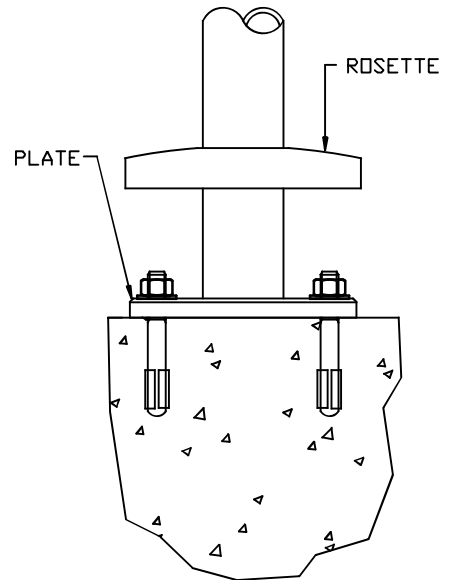


MATERIAL:
 STAINLESS STEEL
 ALLOY 316
 FINISH: NO. 6 SATIN



EMBED MOUNT
 STANDARD



BASE PLATE MOUNT
 OPTION

Description:
 ANDA
 FREESTANDING TWO LINE RAIL DESIGN

Drawn: GTG
 Date: -

Sheet No.:
 1 OF 1

ETI efficient-tec international llc.
 9659 Wendell Road Dallas, TX 75243 tel. 866.356.4458

Job Number:
 -

Part Number:
 -