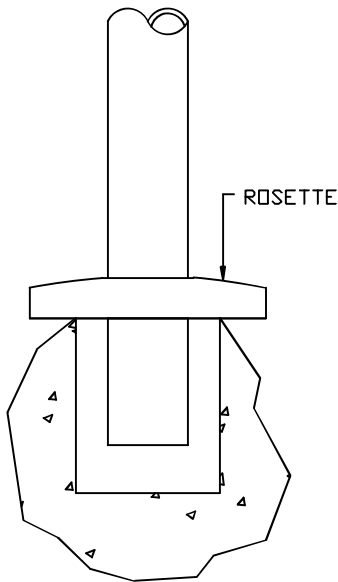
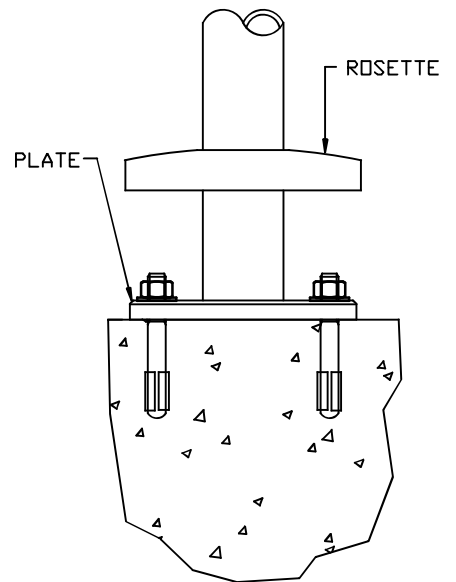


MATERIAL:  
 STAINLESS STEEL  
 ALLOY 316  
 FINISH: NO. 6 SATIN



EMBED MOUNT  
 STANDARD



BASE PLATE MOUNT  
 OPTION

Description:  
 ANDA  
 FREESTANDING ONE LINE RAIL DESIGN WITH HANDRAIL PLOT 16

Drawn: -

Sheet No.:  
 1 OF 1

Date: -

**ETI** efficient-tec international llc.  
 9659 Wendell Road Dallas, TX 75243 tel. 866.356.4458

Job Number:  
 -

Part Number:  
 -