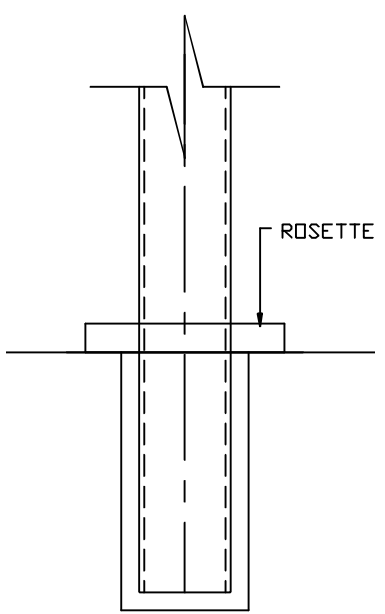
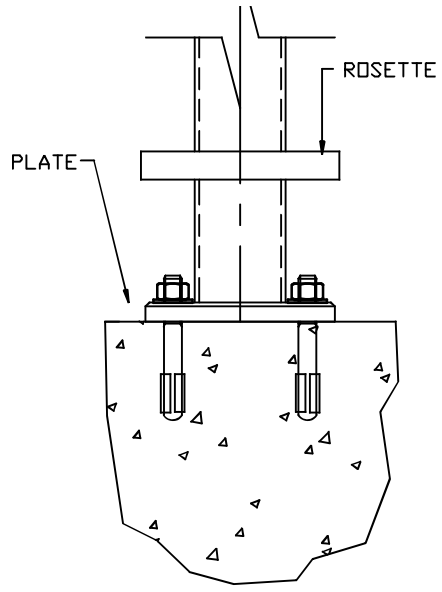


MATERIAL:
 STAINLESS STEEL
 ALLOY 316
 FINISH: NO. 6 SATIN



EMBED MOUNT
 STANDARD



BASE PLATE MOUNT
 OPTION

Description: ANDA FREESTANDING ONE LINE RAIL DESIGN - SQUARE	Drawn: GTG	Sheet No.: 1 OF 1
	Date: -	Job Number: -
ETI efficient-tec international llc. 9659 Wendell Road Dallas, TX 75243 tel. 866.356.4458	Part Number: -	