

# Efficient-Tec International LLC.

Walkway Handrail

Stairway Handrail

Illuminated Handrail

Wire Rope Infills

Rod Infills

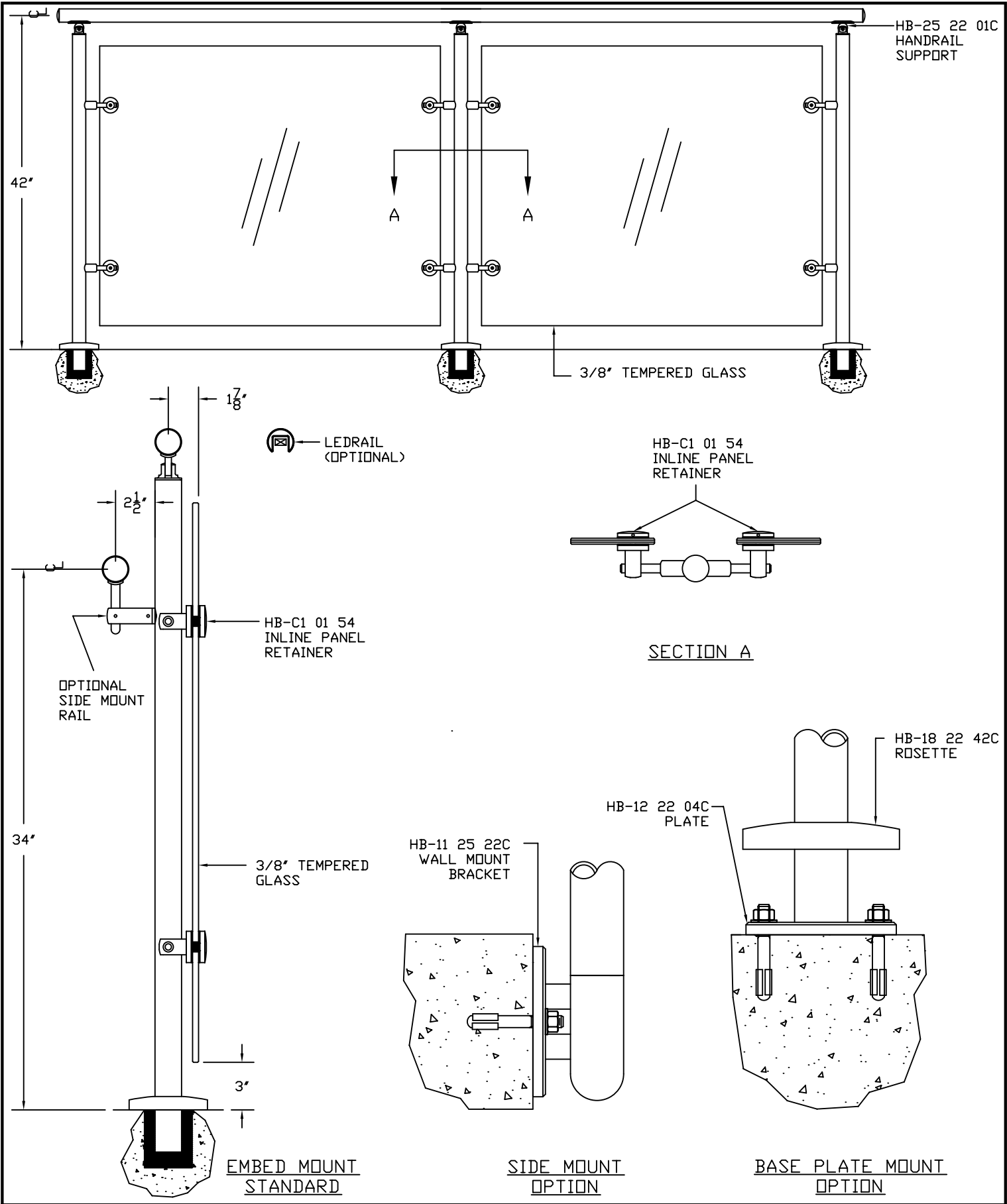
Glass Infills

Spiral Staircases

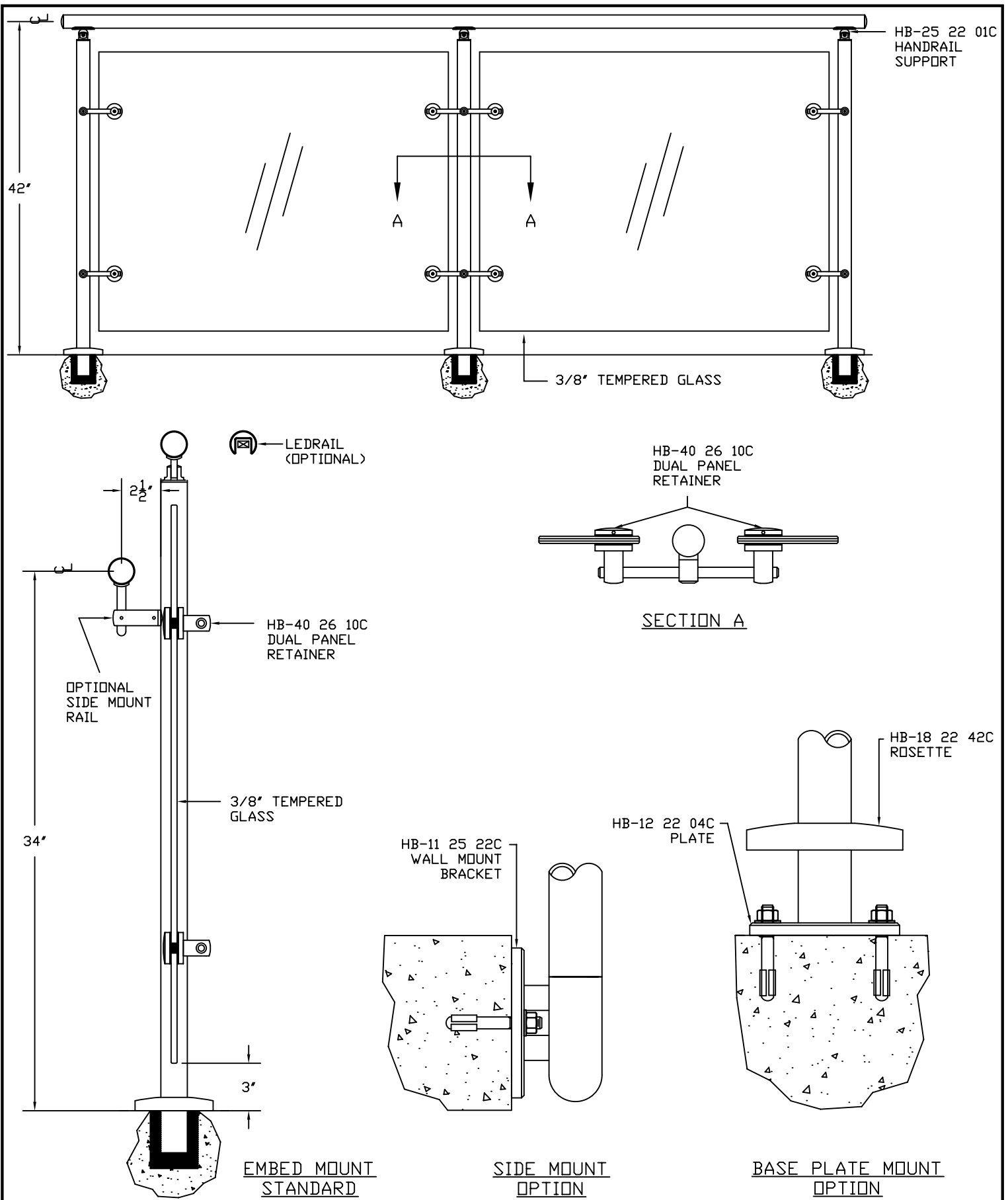
Glass Canopies

## Stainless Steel Systems





<b>Description:</b> INLINE RETAINER DESIGN -	<b>Drawn:</b> GTG <b>Date:</b> 05/28/09	<b>Sheet No.:</b> 3 OF 7
<b>ETI</b> efficient-tec international llc. 9659 Wendell Road Dallas, TX 75243 tel. 866.356.4458	<b>Job Number:</b> -	<b>Part Number:</b> -



**Description:**  
DUAL GLASS PANEL RETAINER DESIGN

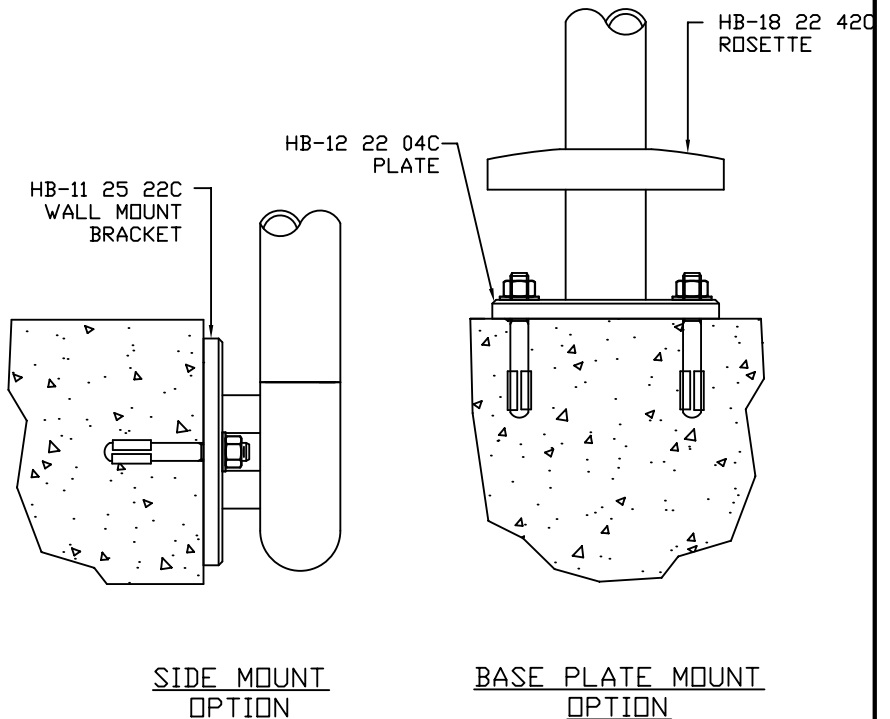
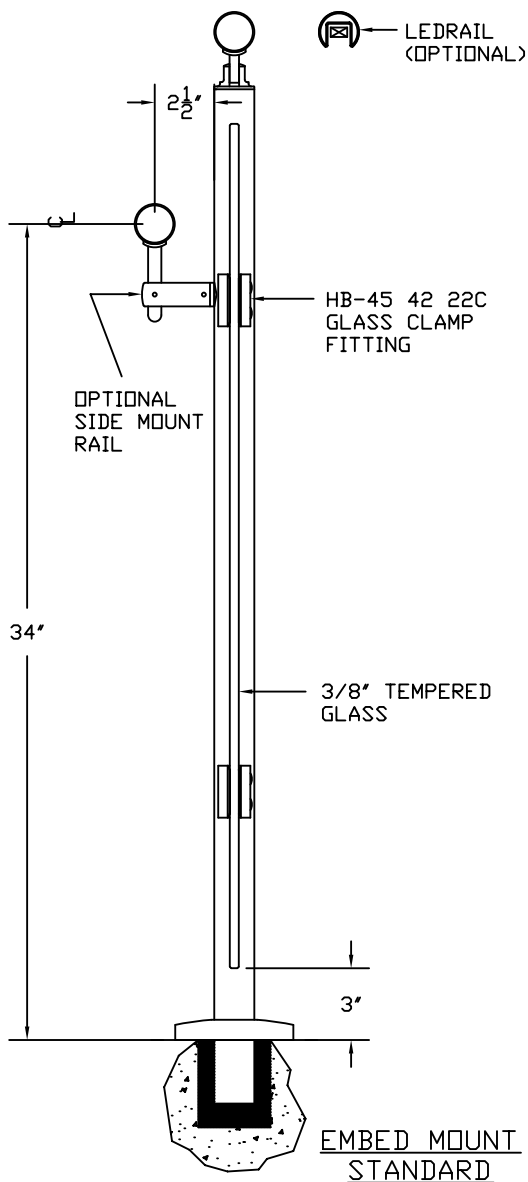
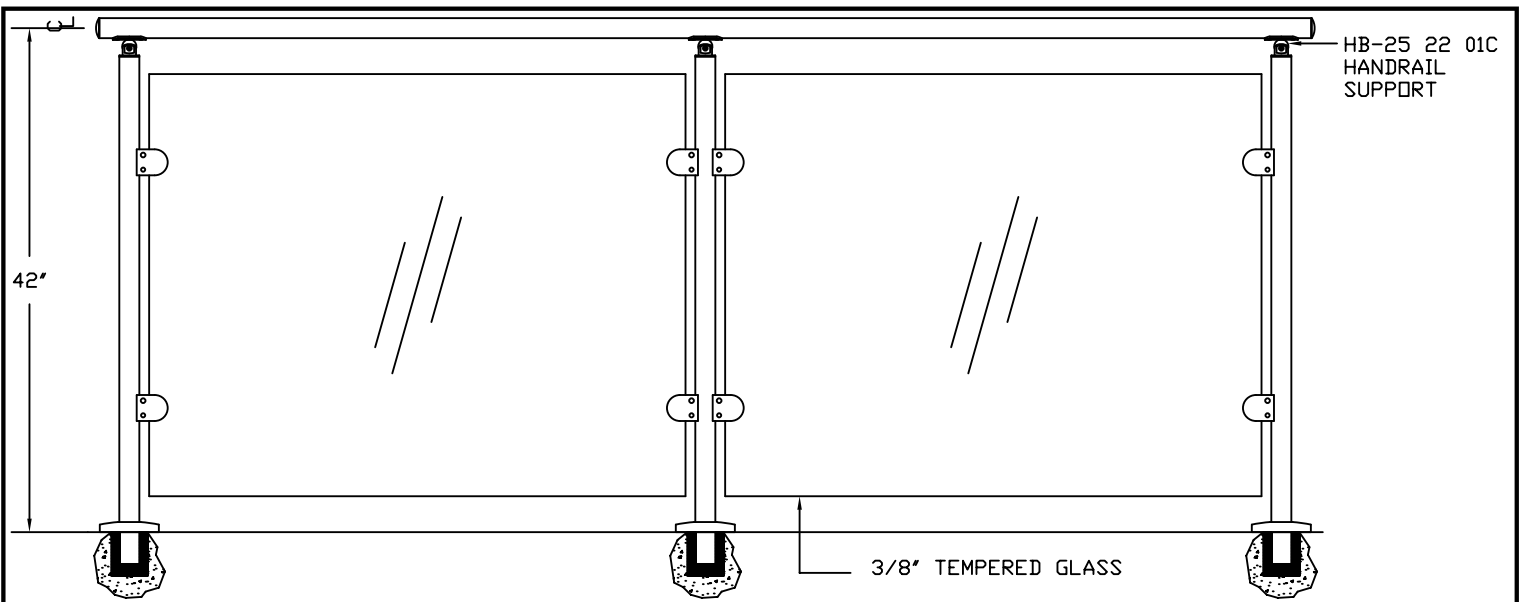
**Drawn:** GTG  
**Date:** 05/28/09

**Sheet No.:**  
4 OF 7

**ETI** efficient-tec international llc.  
9659 Wendell Road Dallas, TX 75243 tel. 866.356.4458

**Job Number:**  
-

**Part Number:**  
-



<b>Description:</b> GLASS CLAMP FITTING DESIGN -	<b>Drawn:</b> GTG <b>Date:</b> 05/28/09	<b>Sheet No.:</b> 5 OF 7
<b>ETI</b> efficient-tec international llc. 9659 Wendell Road Dallas, TX 75243 tel. 866.356.4458	<b>Job Number:</b> -	<b>Part Number:</b> -